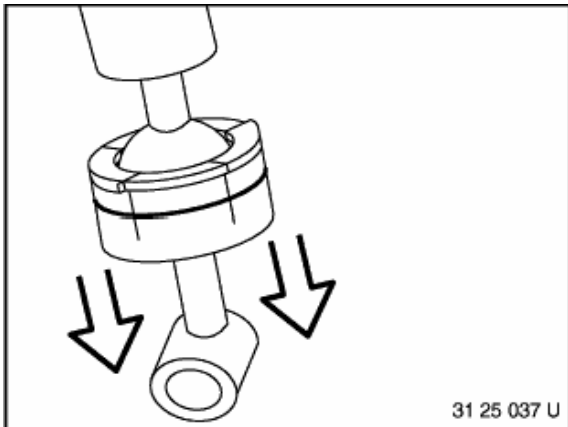


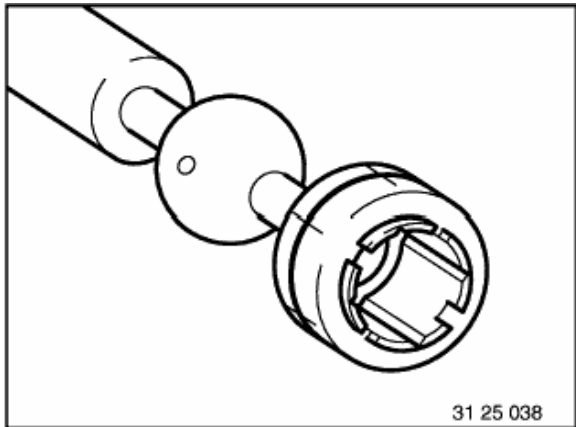
Remove shift lever,  
refer to 25 11 000  
Pull rubber grommet off shift lever.

**Installation:**

Mount rubber grommet on shift lever using tyre mounting paste.



Press off bearing shell downwards.



Bearing shell can be taken off shift lever through slots in bearing shell.

**Installation:**

Coat bearing shell and ball with Klüber Polyub GLY 801 (refer to BMW Parts Service).